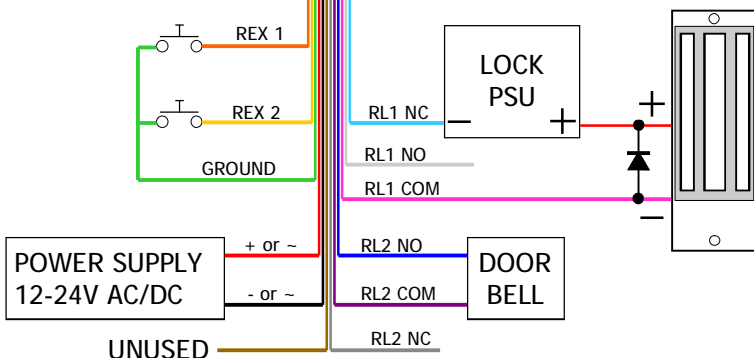


# CPT-DH16A-12DT & CPT-DH16A-20T



## SPECIFICATIONS:

Voltage: 12-24V AC/DC  
 Standby Current: 80mA  
 Operating Current: 110mA  
 Up to 1000 users on relay 1  
 Up to 10 users on relay 2  
 IP65 Rated  
 Built in Prox Reader  
 Relay Reset time: 0-99sec.



RED	12-24V AD/DC INPUT	+ or ~
BLACK		- or ~
BROWN	UNUSED	
ORANGE	REX INPUT FOR RELAY 1	
YELLOW	REX INPUT FOR RELAY 2	
GREEN	GROUND	
WHITE	RELAY 1 Rated: 1 amp 30 volts	NO
PINK		COM
AQUA		NC
BLUE	RELAY 2 Rated: 1 amp 30 volts	NO
PURPLE		COM
GREY		NC
SHIELD	GROUND	

## ENTERING ADMIN MODE:

To enter Admin mode put in your admin code **twice**.

i.e. **1 2 3 4 1 2 3 4**

Default admin code is: 1234.

The keypad will automatically time out after 20 seconds.

## EXITING ADMIN MODE:

To Exit admin mode simply press: **#**

## ADDING USER CODES & PROX TAGS TO RELAY 1:

You can have up to 1000 user codes and prox tags assigned to Relay 1.

These are loaded into a user slot (000 to 999), a user slot can have a code and/or a prox tag.

First you must be in Admin Mode.

Then press in the slot you wish to load:

**0 0 0** to **9 9 9** the keypad will then display either:

- = slot is empty and ready for a new code or tag.
- = slot already has a code or tag loaded. (go to delete user)

Providing this slot is empty you can now add your new tag and code.

If you are loading a tag simply wave it in front of the keypad now.

= tag loaded successfully.

Now put in the new 4 digit pin code:

**0 0 0 0** to **9 9 9 9** = code accepted

You can now repeat the process to add more user codes and prox tags.

*Note. You don't have to load a prox tag in to a slot.*

## ADDING USER CODES & PROX TAGS TO RELAY 2:

You can have up to 10 user codes and prox tags assigned to Relay 2.

These are loaded in under Address \*4 user slot 00 to 09. A user slot can have a code and/or a prox tag. First you must be in Admin Mode.

Then press:

Followed by the user slot to the keypad will then display either:

- a. Green Steady Yellow Flashing = slot is empty and ready for a new code or tag.
- b. Red Steady Yellow Flashing = slot already has a code or tag loaded. (go to delete user)

Providing this slot is empty you can now add your new tag or code.

If you are loading a tag simply wave it in front of the keypad now.

Short Beep, then Long Beep = tag loaded successfully.

Now put in the new 4 digit pin code:

to Long Beep Off Yellow Steady = code accepted

You can now repeat the process to add more user codes and prox tags.

*Note. You don't have to load a prox tag in to a slot.*

## DELETING USER CODES & PROX TAGS FROM RELAY 1:

User codes and prox tags are deleted under the slot they are stored in, 000 to 999.

First you must be in Admin Mode.

Then press in the slot you wish to Delete:

to if there is a code to delete the keypad will display:

Red Steady Yellow Flashing (only if there is a code loaded into that slot)

Now press the keypad will then:

Long Beep Green Steady Yellow Flashing = code/tag has been deleted

## DELETING USER CODES & PROX TAGS FROM RELAY 2:

Relay 2 user codes and tags are deleted under address \*4 then the slot they are stored in, 00 to 09.

First you must be in Admin Mode. Then press:

Followed by the user slot to the keypad will then display:

Red Steady Yellow Flashing (only if there is a code loaded into that slot)

Now press the keypad will then:

Long Beep Green Steady Yellow Flashing = code/tag has been deleted

## RELAY 1 RESET TIME: (default 1sec)

Relay 1 reset time can be set from 00 to 99 seconds. If 00 is selected the relay will toggle on & off.

To change reset time you must be in Admin Mode. Then press:

Followed the time in seconds to the keypad will then: Long Beep

## RELAY 2 RESET TIME: (default 1sec)

Relay 2 reset time can be set from 00 to 99 seconds. If 00 is selected the relay will toggle on & off.

To change reset time you must be in Admin Mode. Then press:

Followed the time in seconds to the keypad will then: Long Beep

### ENABLING DOOR BELL FEATURE:

If the door bell feature is enabled, the \* button will trigger Relay 2 to activate for 1 second. You could then wire a small buzzer, or chime bell inside the house to relay 2. First you must be in Admin Mode. Then press:

Followed by the keypad will then: Long Beep

### DISABLING DOOR BELL FEATURE:

By default this feature is disabled. If you require it to be disabled again, follow these steps. First you must be in Admin Mode. Then press:

Followed by the keypad will then: Long Beep

### ENABLING TAMPER ALARM:

If this feature is enabled, the keypad buzzer will activate if it is removed from its base. First you must be in Admin Mode. Then press:

Followed by the keypad will then: Long Beep

### DISABLING TAMPER ALARM:

By default this feature is disabled. If you require it to be disabled again, follow these steps. First you must be in Admin Mode. Then press:

Followed by the keypad will then: Long Beep

### CHANGING ADMIN CODE:

First you must be in Admin Mode. Then press:

Followed by your new 4 digit code twice. Long Beep

Example: then the new admin code is now 4321:

### MASTER RESET:

This will remove all user codes, prox tags and return the keypad to its default setup. First you must be in Admin Mode. Then press:

Off Yellow Flashing

Then Off Yellow Steady 6 Short Beeps, then 1 Long Beep

Now Press Off Yellow Flashing

Then Yellow Steady Yellow Steady Delayed Long Beep

### DEFAULTING ADMIN CODE:

If you do not know the admin code, you can restore it to the factory default (1234), by following the steps below.

Powering down the keypad,

When you power up again the display will show Off Red Flashing for only 3 seconds.

Whilst Flashing Red press the display will change to Off Green Steady Long Beep

The admin code will now be back to the default 1234

SLOT	NAME	CODE	TAG
000			
001			
002			
003			
004			
005			
006			
007			
008			
009			
010			
011			
012			
013			
014			
015			
016			
017			
018			
019			
020			
021			
022			
023			
024			
025			
026			
027			
028			
029			
030			
031			
032			
033			
034			
035			
036			
037			
038			
039			
040			

SLOT	NAME	CODE	TAG
041			
042			
043			
044			
045			
046			
047			
048			
049			
050			
051			
052			
053			
054			
055			
056			
057			
058			
059			
060			
061			
062			

RELAY 2 USERS			
SLOT	NAME	CODE	TAG
00			
01			
02			
03			
04			
05			
06			
07			
08			
09			

ADMIN CODE

Arrowhead Alarm Products Ltd.  
344b Rosedale Rd,  
Albany,  
Auckland.  
Ph. 09 414 0085  
[www.aap.co.nz](http://www.aap.co.nz)



v1.01