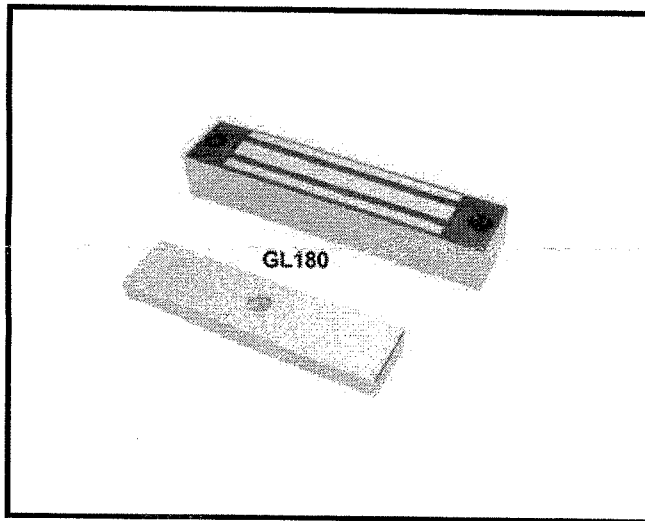


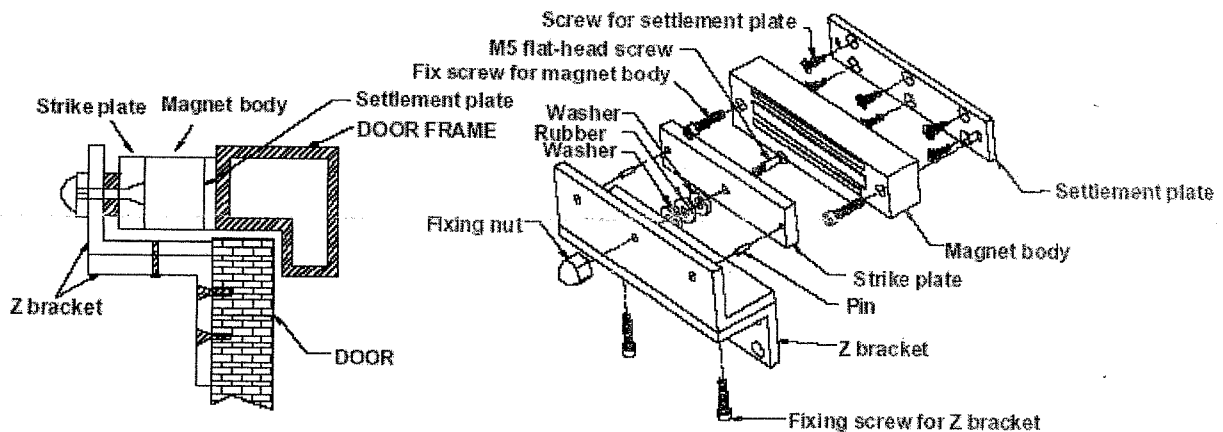
INSTALLED INSTRUCTION GL180 ELECTROMAGNETIC LOCK



➤ SPECIFICATION

| DESCRIPTION | GL180 |
|--|--------------------------------|
| Door monitoring output (reel sensor NO/NC) | NO INCLUDE |
| Input Voltage | 12 to 24 VDC |
| Current Draw | 12VDC - 370mA 24VDC - 185mA |
| Holding Force | 400LBS |
| Dimensions(L x W x D) | |
| Surface magnet | 164 x 35 x 26 mm |
| Strike plate | 130 x 32 x 10 mm |
| Material | |
| Armature housing | Stainless steel |
| Strike plate | Steel |

➤ IN SWING DOOR ASSEMBLY



1. Locate the desired position on the doorframe and attaching the settlement plate to this location by 6 screws.
2. Insert 2 included screws through the pre-drilled holes on the lock and screwing tightly to the settlement plate.
3. Locate the proper position on the door, keep the magnetic lock aligned correctly with the doorframe.
Drill 5 holes at this location and attaching the Z bracket to it. Important remark for tightening the Z bracket, tightening screws must be accompanied by a spring-washer to avoid sliding.
4. Inserte the 2 pins to the strike plate, and place a pair of washers separately by rubber. Inserte the M5 flate head screw through the center of the strike plate, to pass through the washers and tghten it to the Z bracket. Do not to install the strike plate with Z bracket too tight. Leave some space to allow for best performance between the plate and lock.

➤ ELECTRICAL INSTALLATION

