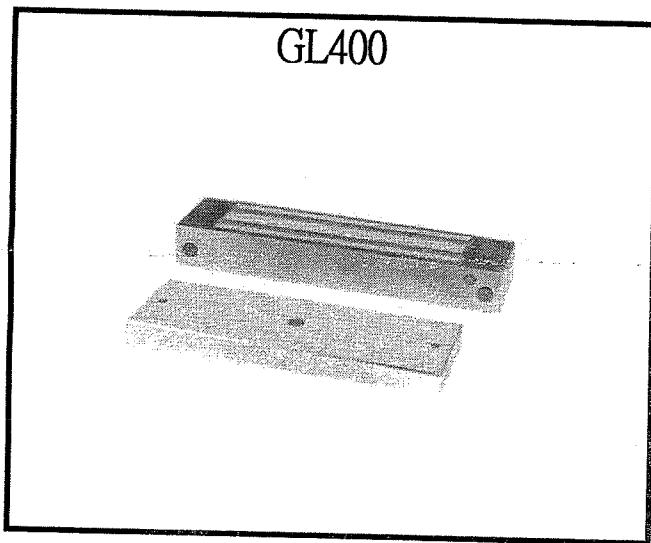


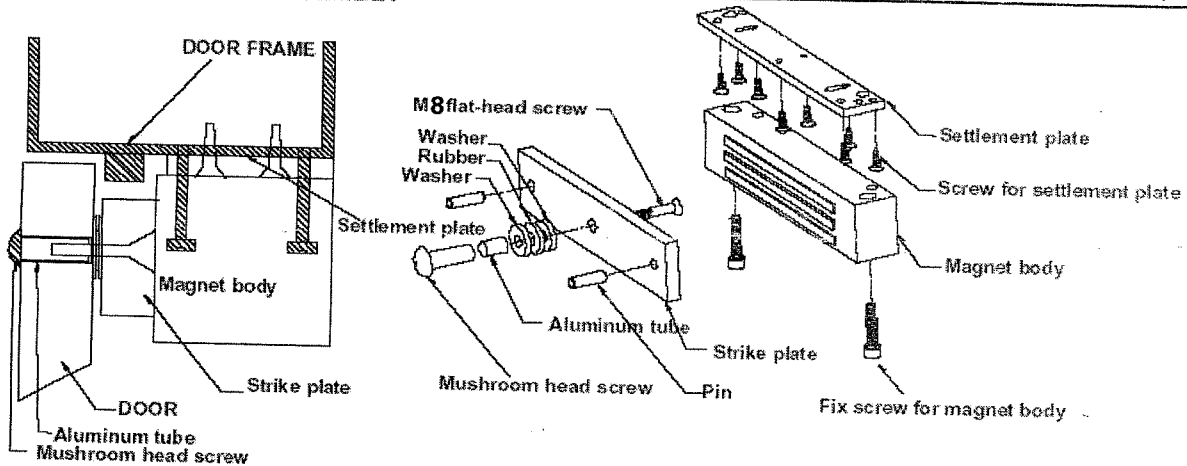
INSTALLED INSTRUCTION GL400/401 ELECTROMAGNETIC LOCK



SPECIFICATION

DESCRIPTION	GL400	GL401
Door monitoring output (reel sensor NO/NC)	⊙	
Input Voltage	12 to 24 VDC	
Current Draw	12VDC - 420mA 24VDC - 210mA	
Holding Force	800LBS	
Dimensions (L x W x H)		
Surface magnet	215 x 50 x 30 mm	
Strike plate	185 x 45 x 15 mm	
Material	Armature housing	Stainless steel
	Strike plate	steel
Door monitoring output (reel sensor NO/NC)		

OUT SWING DOOR ASSEMBLY



1. Attach the settlement plate to the doorframe loosely by inserting 2 screws through the 2 pre-drilled holes of the settlement plate. Adjust the settlement plate to the desired position, then tighten the settlement plate to the doorframe with another 6 screws.
2. Insert 2 included screws through the pre-drilled holes on the lock body and screw tightly with the settlement plate.
3. Locat the proper position on the door that corresponds to the position of the electromagnetic lock when closed. Insert 2 pins to the strike plate and drill 2 holes (Dia.: about 6~7mm) on the door at the center of the strike plate all the way through the entire door. Insert the M8 flate head screw through the center of the strike plate, through the door, the washers, the aluminum tub and bolt. Do not to install the stike plate too tight. Leave some space to allow for best performance between the plate and lock.

ELECTRICAL INSTALLATION

