



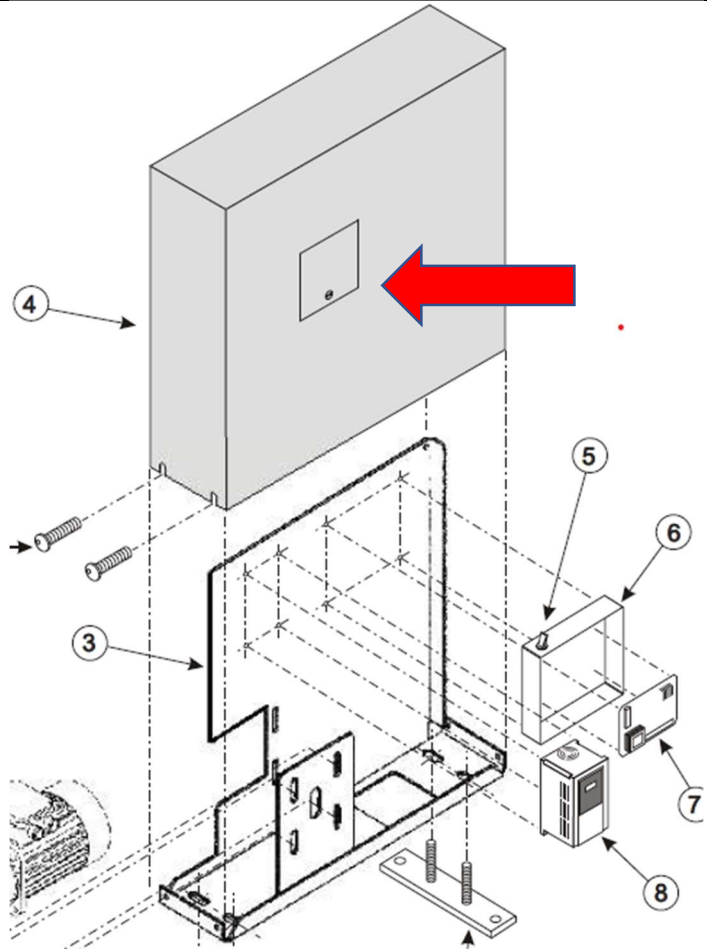
FGS
METALWORK

FGS
STRUCTURAL

THE
FENCE&GATE
SHOP

MANUAL RELEASE PROCEDURE

LIFTMASTER FS10



1. Isolate the power.
2. Unlock the side latch using the key provided upon completion of the installation (see left diagram).
3. Reach out for the disengagement lever and turn the lever anticlockwise (see *Fig. 13* below). Slightly push gate manually in either direction in order for the clutch to get perfectly engaged.

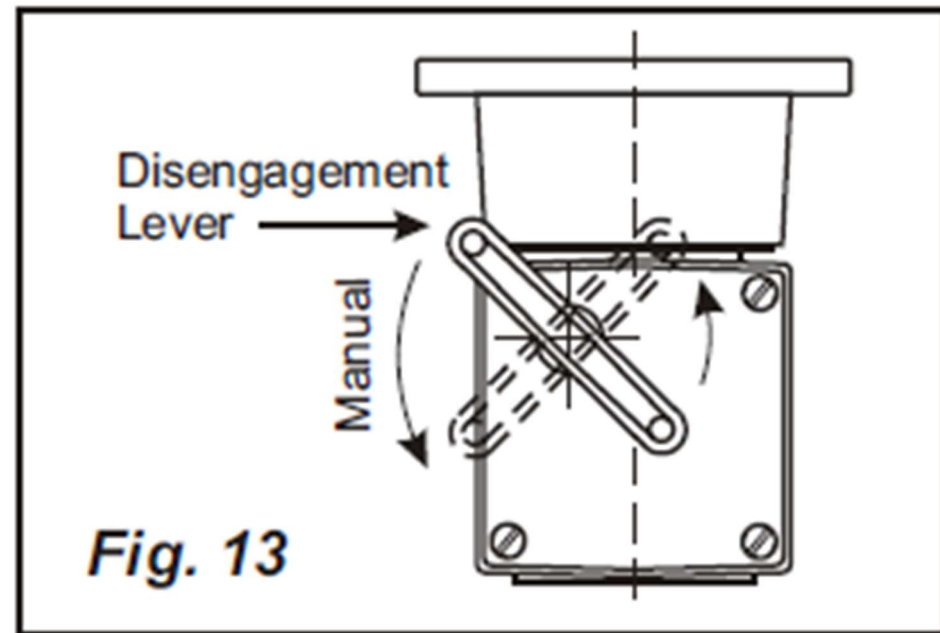


Fig. 13