



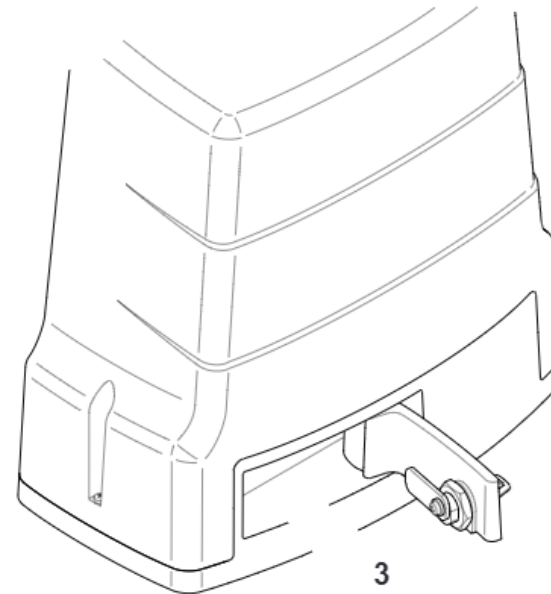
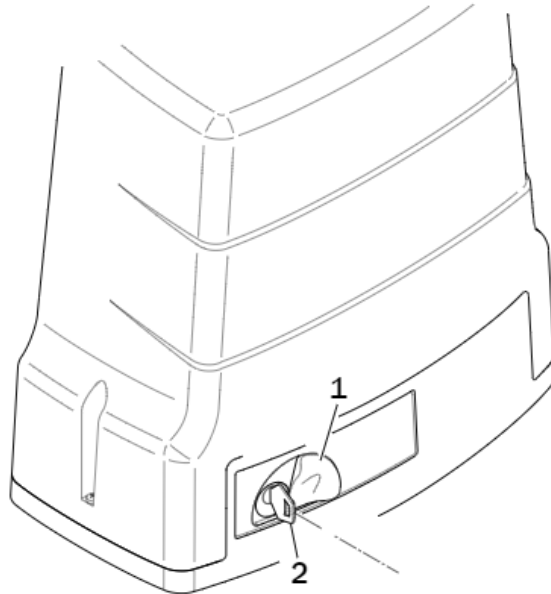
FGS
METALWORK

FGS
STRUCTURAL

THE
FENCE&GATE
SHOP

MANUAL RELEASE PROCEDURE

Roger Sliding Motors



GB MANUAL OPERATION OR OVERRIDE

Please learn the emergency release procedure as described and make sure that all users of the automatic installation are acquainted with it.

⚠ Caution: before carrying out manual operation or override, disconnect the equipment from the electricity supply

MANUAL OPERATION AND RELEASE

Move the lock cover back as shown by point 1, insert the key provided, turn it clockwise by 90° as shown by point 2, initially pull with the key and then with the lever until reaching the self-holding position, as shown by point 3. Manually open or close the gate by pulling or pushing it.

AUTOMATIC OPERATION RESET

⚠ Caution: when resetting automatic operation with the release lever, handle with due care as fingers could be crushed or entrapped. Reclose the lever with the provided key inserted and turned clockwise by 90°. Upon reaching the initial position of the lever, turn the key counter-clockwise, take out the key and close the lock cover. Reconnect the installation to the electricity supply.